

GERVASIO & ASSOC. INC.

CONSULTING ENGINEERS

(602) 285-1720 • 77 East Thomas Road, Suite 120
PHOENIX, ARIZONA 85012-3115

Date 8/9/16

Job No. 4082.2

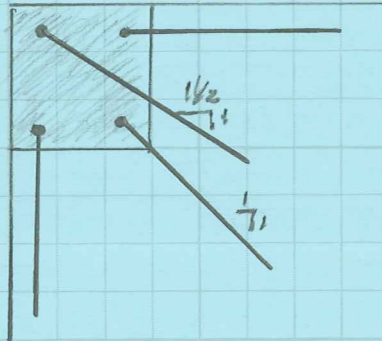
By RA

Sheet No. 1 of 1

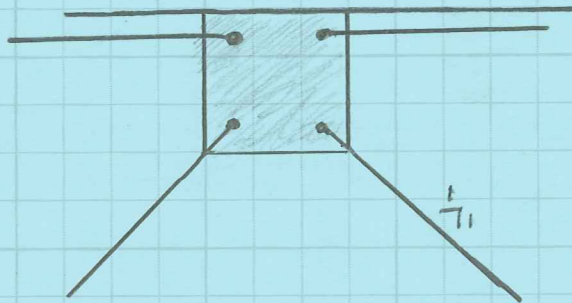
MEGA BURN FACILITY - RFB #28

*Dowel Placement per
Detail 11/27

CORNER COLUMN:



COL, AT SLAB EDGE:



INTERIOR COL. CONDITION:

