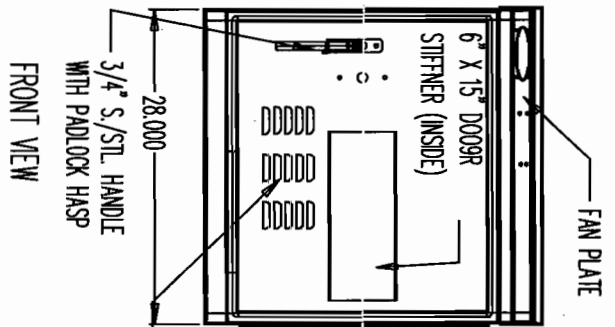


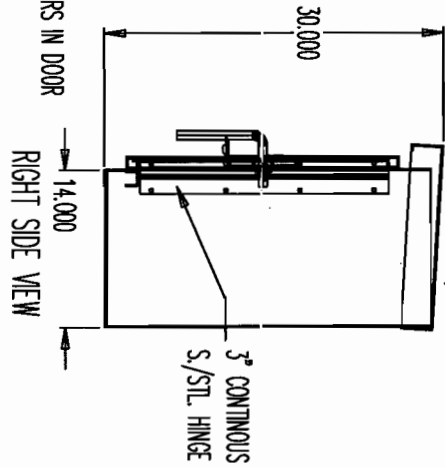
FRONT VIEW
DOOR REMOVED FOR CLARITY

MOUNTING CHANNELS MOVED IN
FROM 20" CENTER TO CENTER TO
18" CENTER TO CENTER



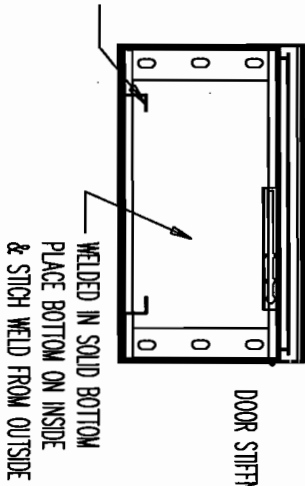
FRONT VIEW
3/4" S./STL HANDLE
WITH PADLOCK HASP

TOP SLOPES 1" TO REAR

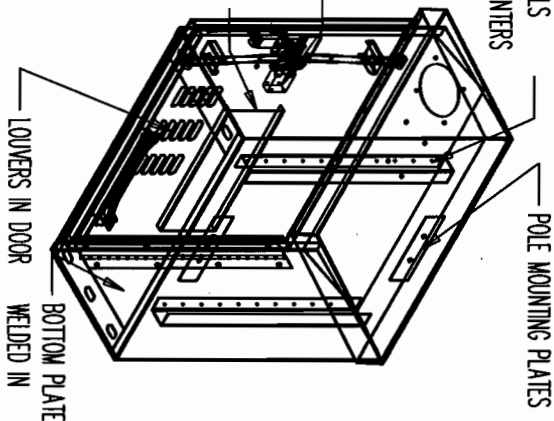


HOLES IN MOUNTING CHANNELS
TAPPED TO 10-24 ON 2" CENTERS

BOTTOM VIEW



ISOMETRIC VIEW



SOUTHERN MFG. CO.
501 HERNDON AVE.
ORLANDO, FLORIDA 32803
SINCE 1939 (407) 894-8851

FOR:

CITY OF MESA

ITEM:

1/8" ALUM. 3R PM ITS EQUIPMENT CABINET
30" X 28" X 14"

DWG. BY: LAB

SIZE: A

DWG NO. C21784SM.CKD

REV.:

DATE: 11/14/06

CHK. BY:

SCALE: 1/16

SHEET: OF